

A

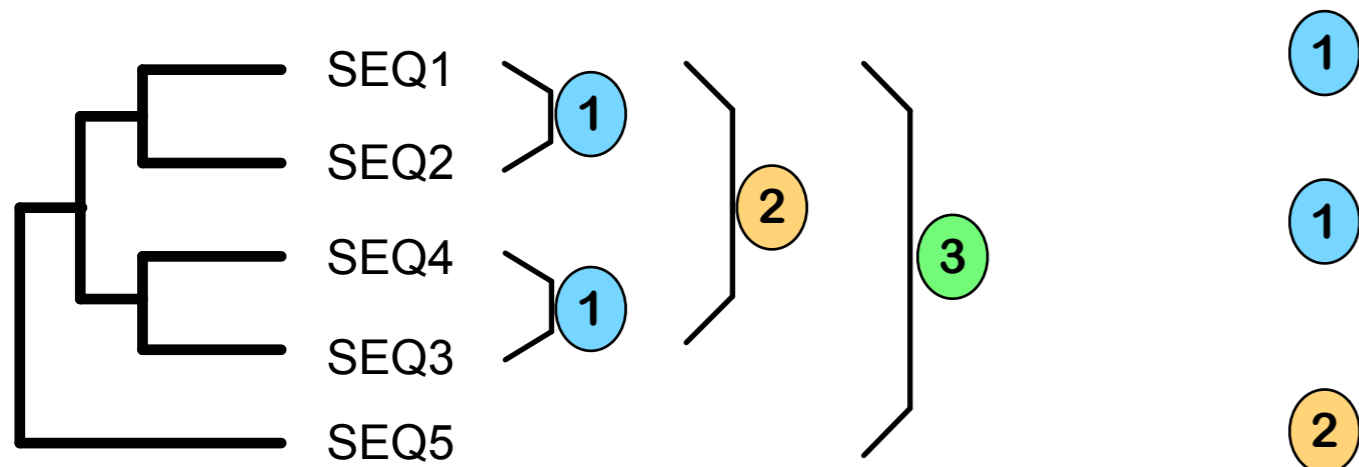
```

>SEQ1
EDRENMLCLSCYLHVTRKPLQSIKTAYLYFSVQSTGGKVG
>SEQ2
EDAENFLCLSCLLHVTGKPLQSIKTRYLYFSVQSTGGKVG
>SEQ3
EDFENMLGVHCLSCYLHVTRKILQSIKTAYLYFSIQSTLGKIG
>SEQ4
EDRENMLGVHCLGCNLHVTRKPLQSIKTAGGYFSIQSTLGKIG
>SEQ5
DDRDNMLGVLCLSNYLHVTAKPLQSTKTAYMYFSVGNRQSTPGKVG

```

B

	SEQ1	SEQ2	SEQ3	SEQ4	SEQ5
SEQ1	0.000				
SEQ2	0.152	0.000			
SEQ3	0.266	0.402	0.000		
SEQ4	0.337	0.499	0.187	0.000	
SEQ5	0.359	0.510	0.442	0.479	0.000

C

SEQ1 EDREGVLCCLSCYLHVTRKPLQS IKTAYLYFSVQSTGGKVG
 SEQ2 EDAEGVLCCLLHVTGKPLQS IKTTRYLYFSVQSTGGKVG

SEQ3 EDFENMLGVHCLSCYLHVTRKILQS IKTAYLYFSIQSTLGKIG
 SEQ4 EDRENMLGVHCLGCNLHVTRKPLQS IKTAGGYFSIQSTLGKIG

SEQ1 EDRE - - - GVLCLSCYLHVTRKPLQS IKTAYLYFSVQSTGGKVG
 SEQ2 EDAE - - - GVLCLSCLLHVTGKPLQS IKTTRYLYFSVQSTGGKVG
 SEQ3 EDFENMLGVHCLSCYLHVTRKILQS IKTAYLYFSIQSTLGKIG
 SEQ4 EDRENMLGVHCLGCNLHVTRKPLQS IKTAGGYFSIQSTLGKIG

SEQ1 EDRE - - - GVLCLSCYLHVTRKPLQS IKTAYLYFSVQS - - - TGGKVG
 SEQ2 EDAE - - - GVLCLSCLLHVTGKPLQS IKTTRYLYFSVQS - - - TGGKVG
 SEQ3 EDFENMLGVHCLSCYLHVTRKILQS IKTAYLYFSIQS - - - TLGKIG
 SEQ4 EDRENMLGVHCLGCNLHVTRKPLQS IKTAGGYFSIQS - - - TLGKIG
 SEQ5 DDRDNMLGVLCLS NYLHVTAKPLQSTKTAYMYFSVGNRQSTPGKVG